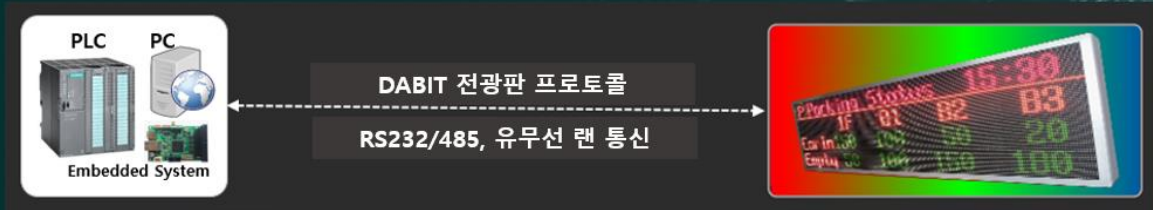


PLC, PC, 임베디드 시스템 연동 **LED** 전광판 솔루션!!



전광판 LED Module 사양서

(DABIT16D-P3_48mm-2Rx6C)

목 차

1. PIXEL/MODULE SPECIFICATION	2
2. SCREEN PARAMETER	2
3. ENVIRONMENT CONDITION	2
4. SIGNAL FUNCTION	3
5. CONNECTOR CABLE SPECIFICATION	3
6. DIMENTION	4
7. SIGNAL FLOW (16 X 16 DOT MATRIX, 1/16 DUTY)	5

1. PIXEL/MODULE Specification

Item	Parameter
Pixel Pitch	3 (mm)
Pixel Configuration	1R1G1B / R : G : B=3 : 6 : 1
LED Lamp	Full color
Module Size(W×H×D)	288×96×15 (mm)
Module Pixel	96 x 32 = 2048 dot
Module Weight	226(g)
Module Power	≤20W
Module Electric Current	3-4A
Drive Voltage	DC5V

2. Screen Parameter

Item	Parameter
Brightness	≥1400cd/m ²
View Angle	≥120° (Vertical)
	≥120° (Horizontal)
Best View Distance	3 ~ 9m
Scan Mode	1/16 Scan
Drive IC	MBI5124
Screen Lifespan	>100,000 (Hrs)
Drive Mode	1/16 Duty Drive

3. Environment Condition

Use the environment	indoor
Operating temperature range	-20~65°C
Operating humidity range	10%~90% RH
Storage temperature range	0~40°C

4. Signal Function

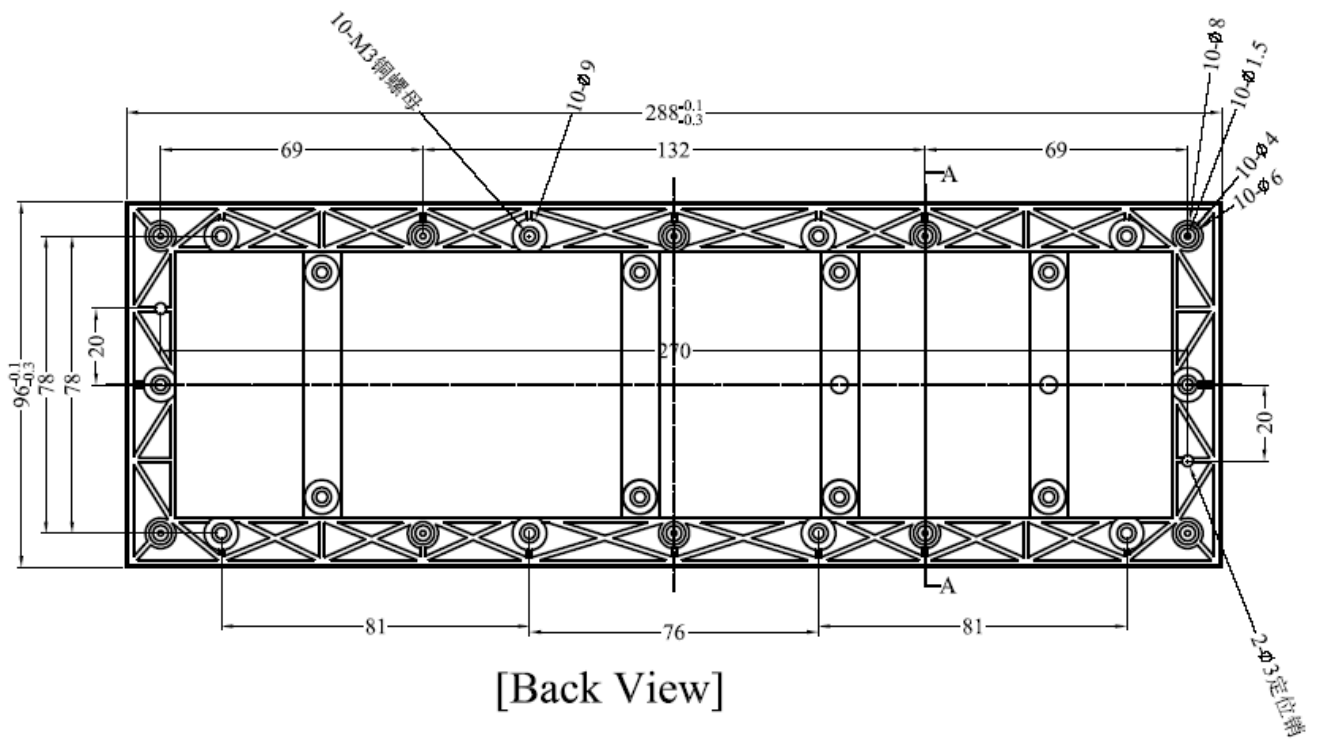
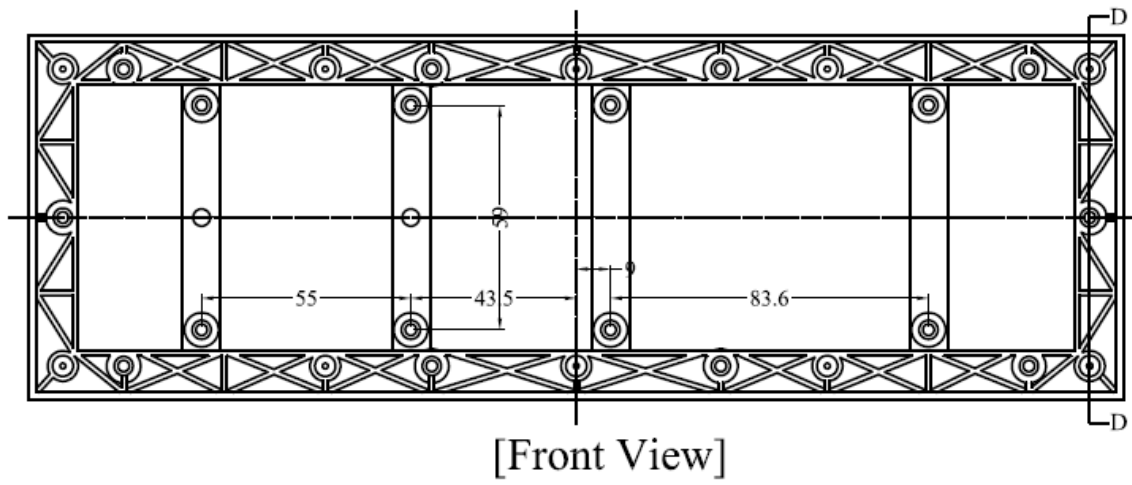
Pin Number	Pin Name	Finction Description
1, 5	R1, R2	Data Input For Green Color
2, 6	G1, G2	Data Input For Blue Color
3, 7	B1, B2	Data Input For Red Color
9, 10, 11, 12	A[0:3]	Line Address
13	CLK	Shift Clock For Input Data
14	LATCH	Data Strobe
15	OE	Out Enable
4, 8, 16	GND	Ground

5. Connector Cable Specification

Data Cable: 16Pin Flat Cable



6. Dimension



7. Signal Flow (16 x 16 DOT MATRIX, 1/16 duty)

DATA NO.	DATA FLOW
Data 1	1.16 → 1.1 → 2.16 → 2.1 → 3.16 → 3.1 16.16 → 16.1

